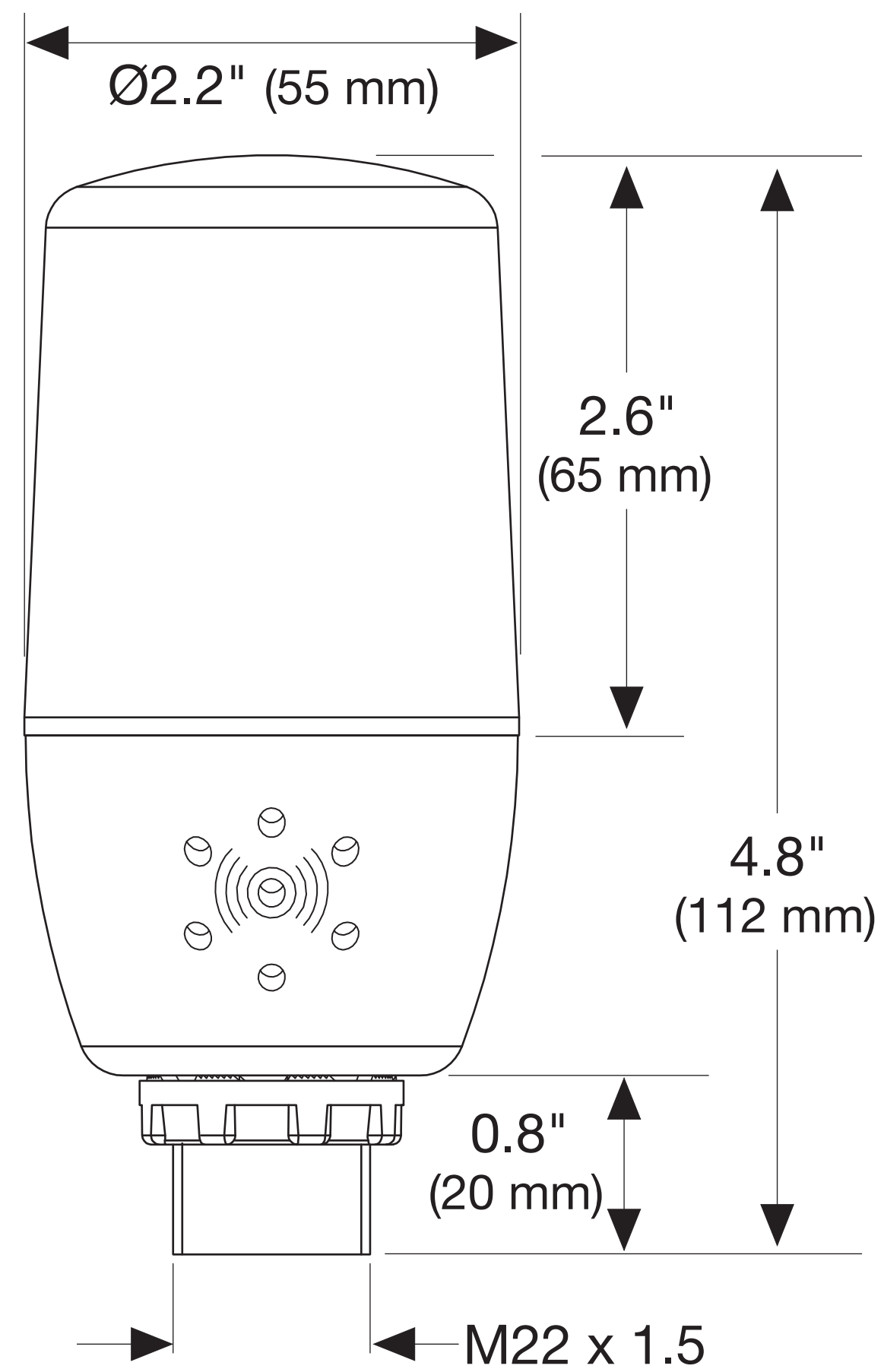


DIMENSIONS



SPECIFICATIONS

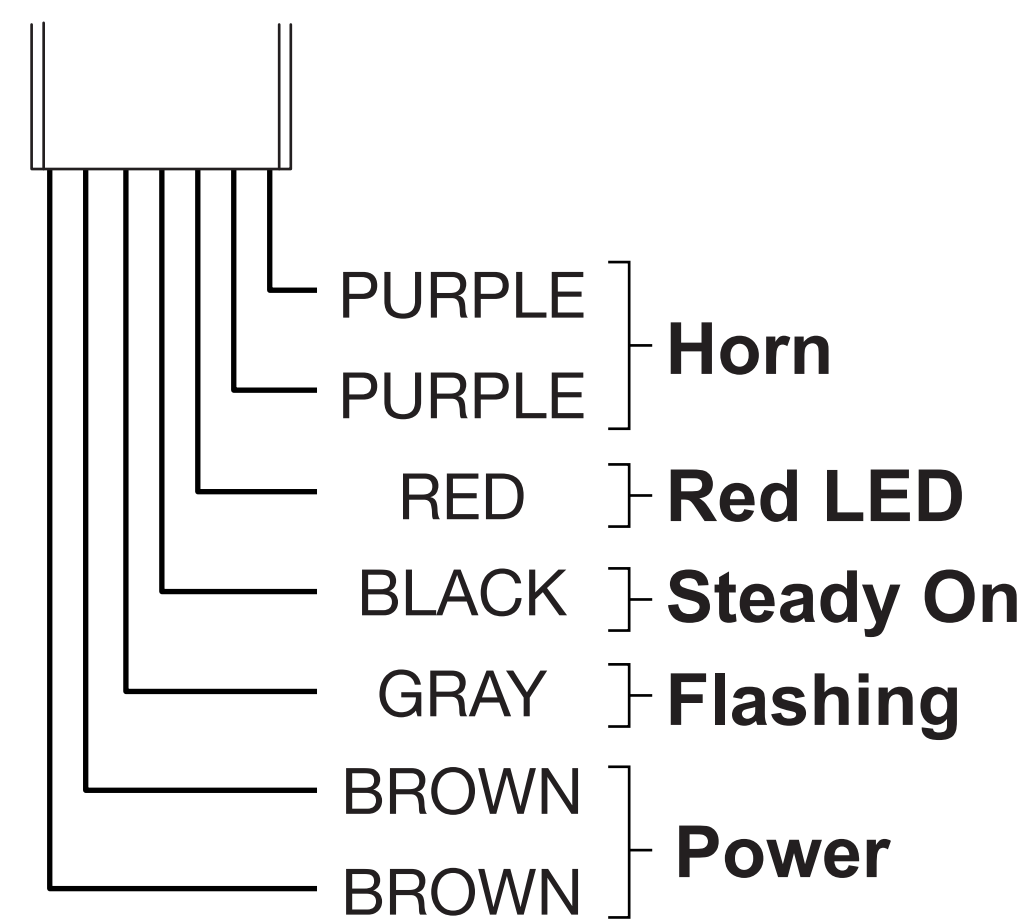
Light Colors: LC09-2014: Red
 LC09-2034: 1 layer each of red, yellow, green.
 LC09-2054: User selectable: red, green, yellow, blue, or white
Light Action: Can be wired to flash (not available on LC09-2054) or stay steady on
Horn: 85 dB
Rating: IP 65
Light / Horn Independence: Light and horn can be controlled via separate relays
Power Requirement: 900mW or 40mA at 24V
Consumption: LC09-2014 & LC09-2054

Color	Red	Green	Yellow	Blue	White	Horn
Downgraded by	17 mA	15 mA	23 mA	15 mA	42 mA	20 mA

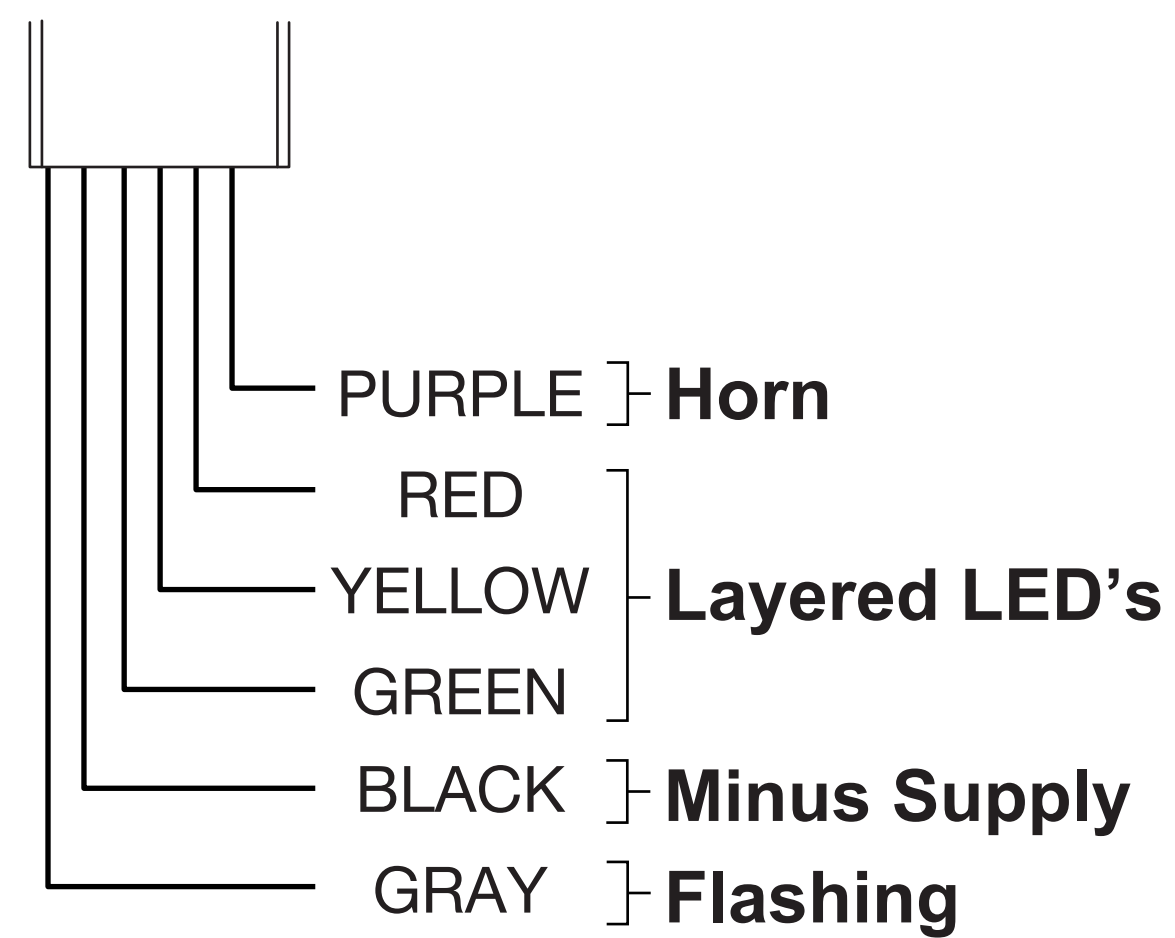
LC09-2034

Color	Red	Green	Yellow	Horn
Downgraded by	34 mA	29 mA	33 mA	38 mA

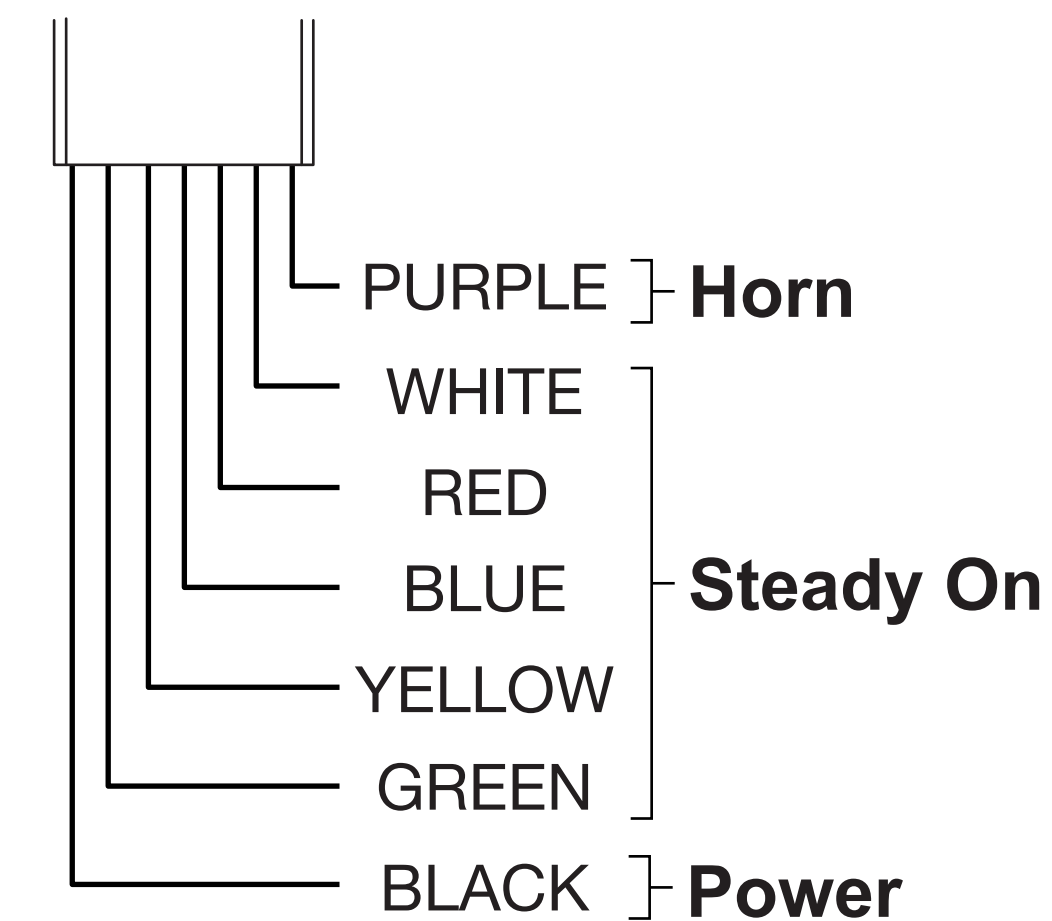
Light / Horn Mounting connection: M22
Hole Sizes: Light / Horn: 0.875" (22 mm)
Cable Length: 3.28 feet (1 meter)
Operating Temp. Range: -5 to 40°C (23 to 104°F)



LC09-2014 Wiring



LC09-2034 Wiring



LC09-2054 Wiring

NOTES: ALL DIMENSIONS SHOWN ARE IN INCHES.

FLOWLINE INC.

LOS ALAMITOS, CA 90720

LC09 Series Strobe Alert Plus
DRAWING FILE
OL302120A1

DRAWN

P. Colin
03/29/2010

SCALE 1:2 SIZE D (34 x 22) SHEET 1 OF 1